

IlSCO® Snapbloc® Individual Modular Blocks

ORDER ONLINE

Features

- Modular design simplifies stocking. Combine any number of blocks with multiple conductor ranges into the specific configuration for the job.
- Easy to assemble—unique locking feature allows blocks to be combined quickly without special tools
- Electroplated with tin for low contact resistance
- Lexan® insulating base provides a high degree of impact resistance with superior insulating qualities
- For use with either copper or aluminum conductors
- Made from high strength 6061-T6 aluminum alloy
- UL Recognized 90°C 600 volts
- CSA Certified



PDC-11-20-1



PDC-14-2/0-1

Power Distribution Blocks

Part Number	Figure	Primary Connector Shape	Primary Wire Range	Primary Openings Per Hole	Primary Hex Size	Secondary Connector Shape	Secondary Wire Range	Secondary Openings Per Hole	Secondary Hex Size	Number of Poles	Ampere Rating Per Pole
PDC-14-2/0-1	1		2/0 - 14	1	3/16		4 - 14	4	175	1	Slot
PDC-11-2/0-1	2		2/0 - 14	1	3/16		2/0 - 14	1	175	1	3/16

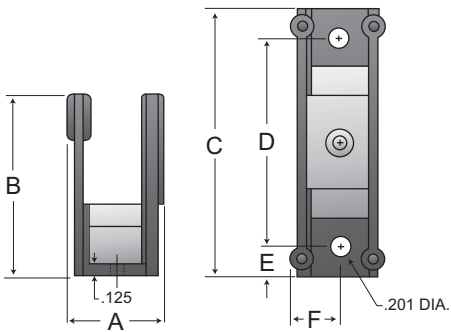


Figure 1

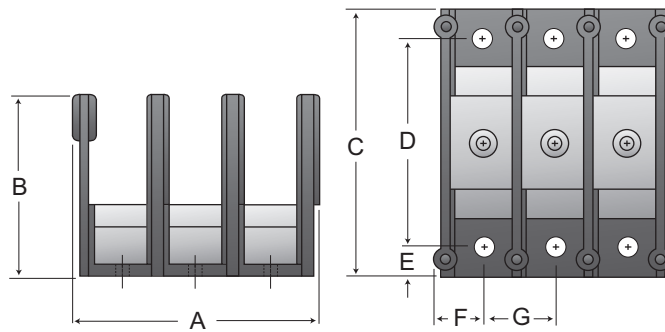


Figure 2

Dimensions

Block Size	No. of Poles	A	B	C	D	E	F	G
S	1	1.05	1.94	2.88	2.25	.31	.53	.80
S	2	1.85	1.94	2.88	2.25	.31	.53	.80

Noryl® is a trademark of General Electric Company.
 "A" dimension increases by .80 per additional pole.