

Grommets, Bushings, and Plugs

Rubber Grommets

ORDER ONLINE



Rubber Grommets Service Kit available
—see page 85



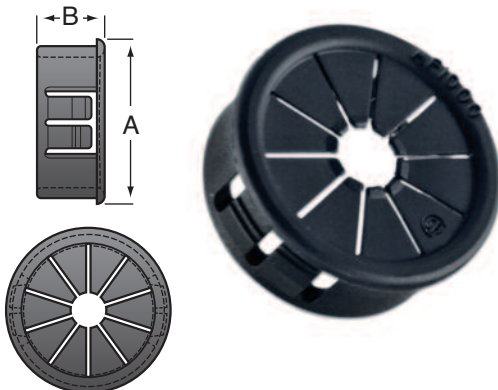
1/16" to 1/4" Panel Thickness

Part Number	Panel Thickness (A)	Inside Diameter (B)	Hole Size (C)
RG100	1/16"	1/16"	3/16"
RG102	1/16"	1/8"	1/4"
RG104	1/16"	3/16"	5/16"
RG106	1/16"	1/4"	3/8"
RG108	1/16"	5/16"	7/16"
RG110	1/16"	5/16"	9/16"
RG112	1/16"	3/8"	1/2"
RG114	1/16"	3/8"	5/8"
RG116	1/16"	7/16"	9/16"
RG118	1/16"	7/16"	11/16"
RG120	1/16"	1/2"	13/16"
RG122	1/16"	9/16"	13/16"
RG124	1/16"	5/8"	7/8"
RG126	1/16"	3/4"	7/8"
RG128	1/16"	3/4"	1 1/16"
RG130	1/16"	7/8"	1 1/4"
RG132	1/16"	1"	1 3/8"
RG134	1/16"	1 1/2"	1 3/4"
RG136	1/16"	2 1/8"	2 1/2"
RG150	1/8"	3/16"	1"
RG152	1/8"	1/4"	3/8"
RG154	1/8"	3/8"	17/32"
RG156	1/8"	3/8"	5/8"
RG158	1/8"	1/2"	3/4"
RG160	1/8"	5/8"	7/8"
RG162	1/8"	11/16"	1"
RG164	1/8"	3/4"	1 1/16"
RG166	1/8"	7/8"	1 1/4"
RG168	1/8"	1"	1 3/8"
RG170	1/8"	1 1/2"	1 3/4"
RG172	1/8"	2 1/8"	2 1/2"
RG180	3/16"	1/4"	7/16"
RG182	3/16"	3/8"	5/8"
RG184	3/16"	1/2"	13/16"
RG186	3/16"	7/8"	1 1/4"
RG187	3/16"	1"	1 3/8"
RG188	3/16"	1 1/2"	1 3/4"
RG192	1/4"	3/4"	1 1/16"
RG194	1/4"	1"	1 3/8"
RG196	1/4"	1 1/2"	1 3/4"

Sold individually. Bulk quantities available.

All Fit Bushings

ORDER ONLINE



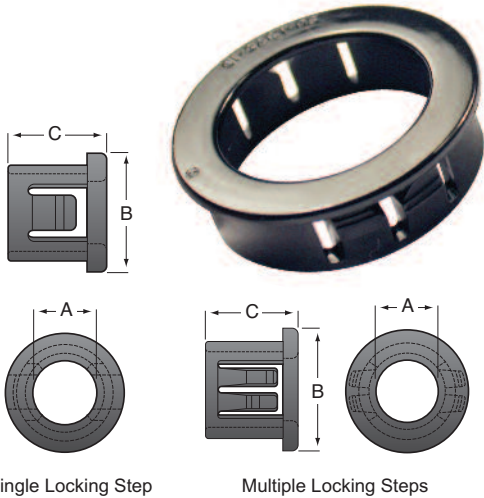
All Fit Bushings

Panel Thickness up to 1/8" - Multiple Locking Steps

Bag of 100 Part Number	Packaged Part Number	Packaged Quantity	Mounting Hole Diameter	Maximum Inside Diameter	A Head Diameter	B Overall Height
AFB-0625	AFB-0625-PKG	10	5/8"	.437"	.730"	.406"
AFB-0750	AFB-0750-PKG	10	3/4"	.500"	.844"	.390"
AFB-0812	AFB-0812-PKG	10	13/16"	.500"	.890"	.390"
AFB-0875	AFB-0875-PKG	10	7/8"	.562"	.937"	.453"
AFB-1000	AFB-1000-PKG	5	1"	.750"	1.06"	.441"
AFB-1093	AFB-1093-PKG	5	1 3/32"	.812"	1.160"	.453"

Press Fit Bushings

ORDER ONLINE



Single Locking Step

Multiple Locking Steps

Press Fit Bushings Sold in bags of 100, or packaged in smaller quantities

Panel Thickness up to 1/16" - Single Locking Step

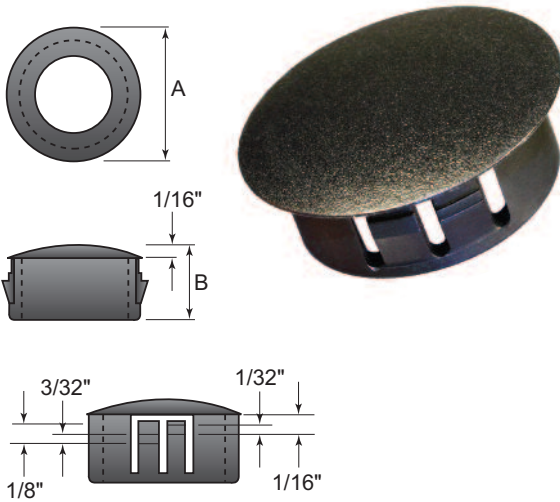
Bag of 100 Part Number	Packaged Part Number	Package Quantity	Mounting Hole Diameter	A Inside Diameter	B Head Diameter	C Overall Height
PFB-250	PFB-250-PKG	20	1/4"	.140"	.312"	.312"

Panel Thickness up to 1/8" - Multiple Locking Steps

Bag of 100 Part Number	Packaged Part Number	Package Quantity	Mounting Hole Diameter	A Inside Diameter	B Head Diameter	C Overall Height
PFB-375	PFB-375-PKG	20	3/8"	.187"	.468"	.406"
PFB-500	PFB-500-PKG	20	1/2"	.312"	.578"	.406"
PFB-750	PFB-750-PKG	10	3/4"	.500"	.850"	.406"
PFB-1000	PFB-1000-PKG	10	1"	.766"	1.125"	.453"
PFB-1093	PFB-1093-PKG	5	1 3/32"	.875"	1.218"	.453"
PFB-1250	PFB-1250-PKG	5	1 1/4"	.937"	1.359"	.453"
PFB-1375	PFB-1375-PKG	5	1 3/8"	1.014"	1.490"	.453"
PFB-1500	PFB-1500-PKG	5	1 1/2"	1.062"	1.609"	.453"
PFB-2000	PFB-2000-PKG	2	2"	1.640"	2.125"	.453"

Hole Plugs

ORDER ONLINE



Hole Plugs Service Kit available
—see page 85

Hole Plugs Sold in bags of 100, or packaged in smaller quantities

Panel Thickness up to 1/16" - Single Locking Step

Bag of 100 Part Number	Packaged Part Number	Package Quantity	Mounting Hole Diameter	A Head Diameter	B Overall Height
HPC-187-1	HPC-187-PKG	20	3/16"	.250"	.234"
HPC-250-1	HPC-250-PKG	20	1/4"	.312"	.312"
HPC-312-1	HPC-312-PKG	20	5/16"	.375"	.312"

Panel Thickness up to 1/8" - Multiple Locking Steps

Bag of 100 Part Number	Packaged Part Number	Package Quantity	Mounting Hole Diameter	A Head Diameter	B Overall Height
HPC-375-1	HPC-375-PKG	20	3/8"	.468"	.406"
HPC-437-1	HPC-437-PKG	20	7/16"	.531"	.406"
HPC-500-1	HPC-500-PKG	15	1/2"	.578"	.406"
HPC-562-1	HPC-562-PKG	15	9/16"	.656"	.406"
HPC-625-1	HPC-625-PKG	15	5/8"	.718"	.406"
HPC-687-1	HPC-687-PKG	10	11/16"	.781"	.406"
HPC-750-1	HPC-750-PKG	10	3/4"	.922"	.406"
HPC-812-1	HPC-812-PKG	10	13/16"	.890"	.406"
HPC-875-1	HPC-875-PKG	10	7/8"	1.106"	.453"
HPC-1000-1	HPC-1000-PKG	10	1"	1.203"	.453"
HPC-1093-1	HPC-1093-PKG	10	1 3/32"	1.218"	.453"
HPC-1187-1	HPC-1187-PKG	10	1 3/16"	1.312"	.453"
HPC-1250-1	HPC-1250-PKG	10	1 1/4"	1.375"	.453"
HPC-1375-1	HPC-1375-PKG	5	1 3/8"	1.500"	.453"
HPC-1500-1	HPC-1500-PKG	5	1 1/2"	1.672"	.453"
HPC-1750-1	HPC-1750-PKG	5	1 3/4"	1.906"	.453"
HPC-2000-1	HPC-2000-PKG	5	2"	2.140"	.453"